

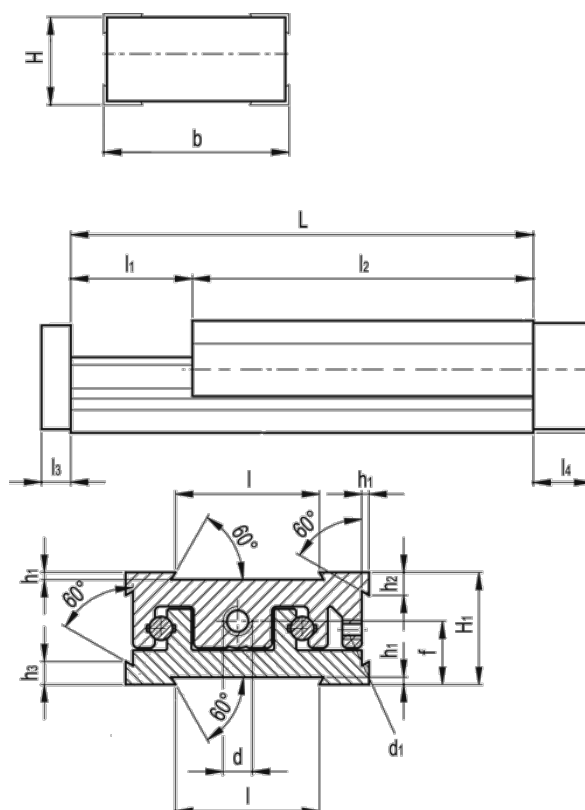
# Data Sheet



Article number: 20782004

Description: Adjustable slide unit  
GN 900-30-65-20-S-1

## Measures



$b = 30$	$h3 = 4.0$
$d = M4 \times 0,5$	$l = 16$
$d1 = M3$	$L - l1 = 65-20$
$f = 9.3$	$l2 = 45$
$H = 16.0$	$l3 = 4$
$h1 = 1.0$	$l4 = 6$
$H1 = 17$	
$h2 = 3.0$	